

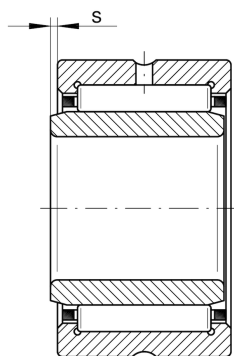
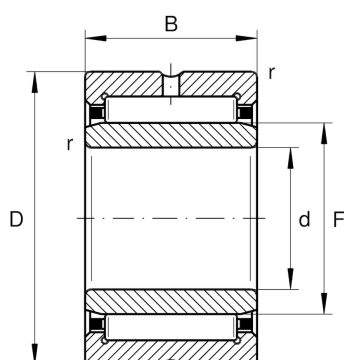
**NA6903-XL**

Needle roller bearing

Schaeffler ID:
0507441510000Needle roller bearing NA69..-XL, single
row, with inner ring, outer ring with 2 bords

X-life

Technical information

**Main Dimensions & Performance Data**

d	17 mm	Bore diameter
D	30 mm	Outside diameter
B	23 mm	Width
C_r	21,100 N	Basic dynamic load rating, radial
C_{0r}	29,000 N	Basic static load rating, radial
C_{ur}	5,200 N	Fatigue load limit, radial
n_G	20,000 1/min	Limiting speed
n_{gr}	9,800 1/min	Reference speed
	0.07 kg	Weight

Dimensions

F	22 mm	Raceway diameter inner ring
r_{min}	0.3 mm	Minimum chamfer dimension
s	1 mm	Axial displacement

Temperature range

T_{min}	-30 °C	Operating temperature min.
T_{max}	120 °C	Operating temperature max.